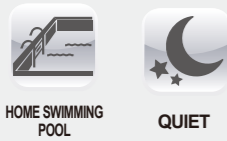


SWIMMING PUMPS



Special Features

Large strainer baskets, which will be fixed firmly without, float or move round.

Open or close the strainer cover easily.

Clear full-view strainer cover lets you see when the basket needs cleaning.

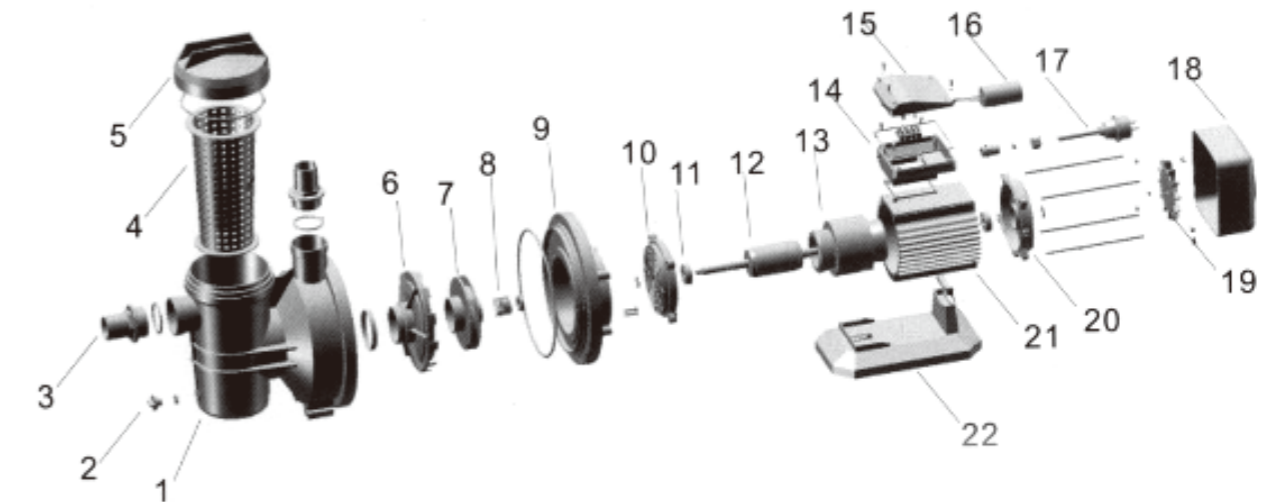
Special design seal device in impeller insulated all the motor's metal parts from water. It provides double insulated from pool water for extra safety.

Built-in thermal overload protector protects the motor against damage from overheating.

Features and Application

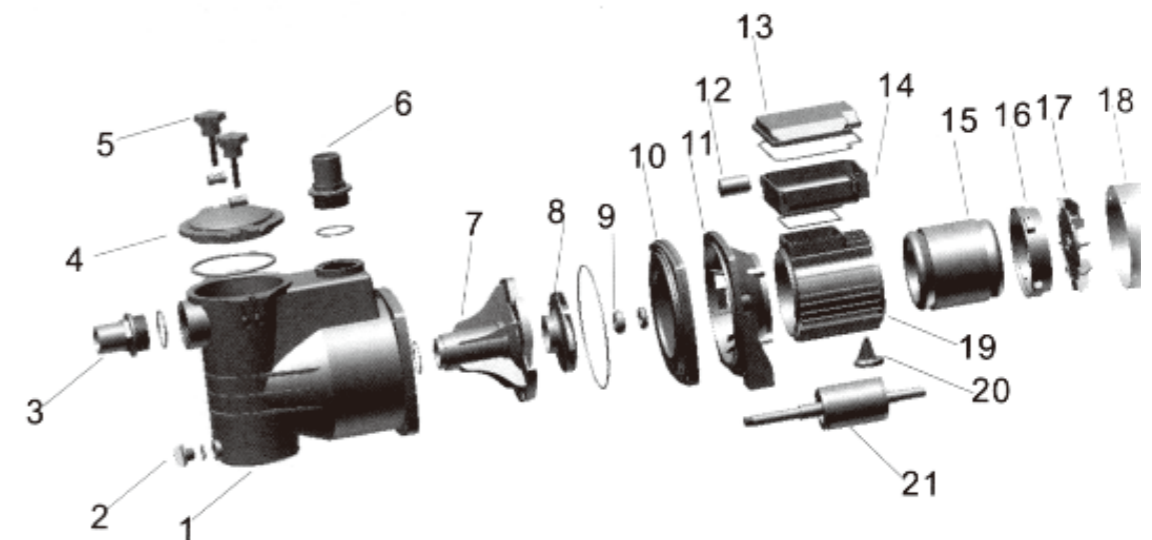
Filter pumps are self-priming centrifugal pumps with a filter behind its entrance, particularly design is suitable for filter swimming pool water. Its filter is clearable. Usually filter pumps are used in a filter system for swimming pool to remove dirt from the pool water and keep the water in a good quality. This system has an advantage in the unnecessary to change the pool water often instead of clean the

filter in the pump change the sand in the tank. With this system, you will eliminate the inconvenience to change the water often. It can be also used for the circulation system of Sauna of other occasion needed water to be filtered clear.



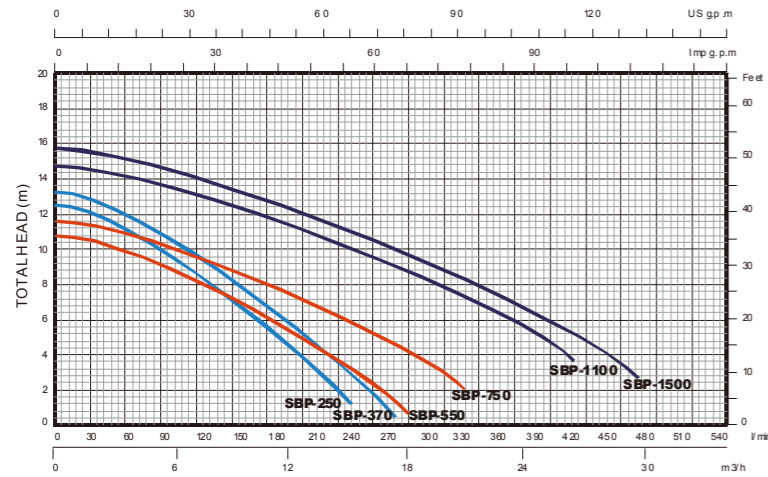
MATERIAL DATA

NO.	DESCRIPTION	NO.	DESCRIPTION	NO.	DESCRIPTION	NO.	DESCRIPTION
1	pump body	7	impeller	13	stator	19	fan
2	bleed screw	8	M/seal	14	capacitor box	20	end plate
3	coupling	9	connector	15	capacitor cover	21	pump base
4	filter screen	10	top plate	16	capacitor	22	base
5	transparent cover	11	bearing	17	cable		
6	difuser	12	rotor	18	fan cover		



MATERIAL DATA

NO.	DESCRIPTION	NO.	DESCRIPTION	NO.	DESCRIPTION	NO.	DESCRIPTION
1	pump body	7	diffuser	13	capacitor cover	19	base
2	bleed screw	8	impeller	14	capacitor box	20	support foot
3	coupling	9	M/seal	15	stator	21	rotor
4	transparent cover	10	plate	16	end plate		
5	bolt	11	connector	17	fan		
6	nut	12	capacitor	18	fan cover		



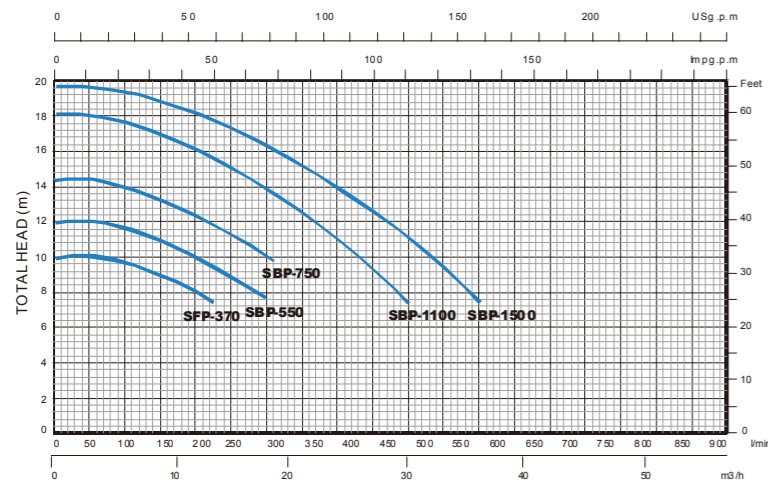
SBP



SPM

SERIES SBP

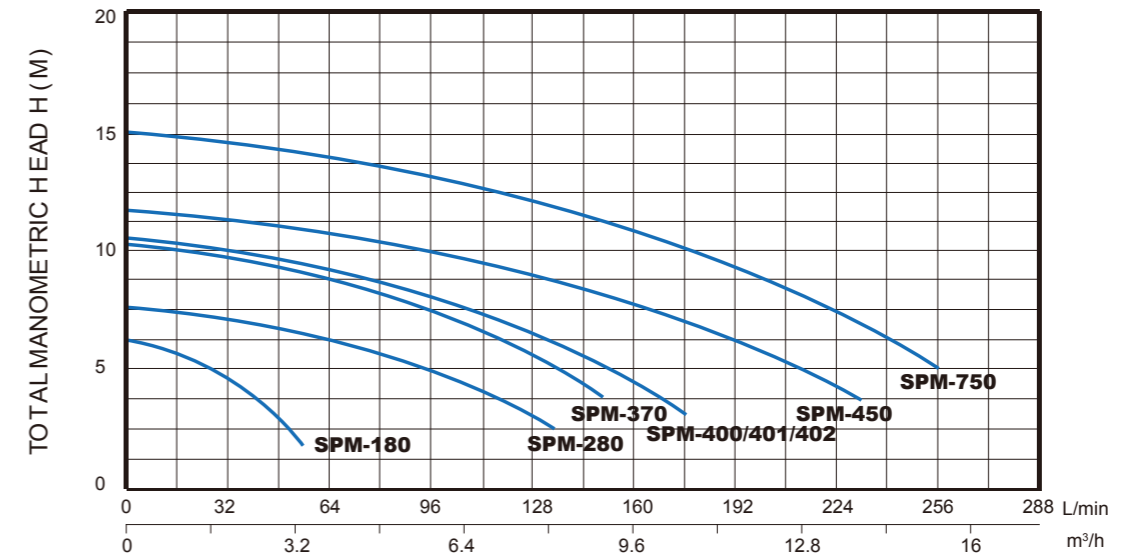
CODE	POMPA PUMP POMPE	HP HP CV	KW KW KW	MOTORE MOTOR MOTEUR	ASPIRAZIONE MANDATA SUCTION DELIVERY	PRESTAZIONI PERFORMANCE PERFORMANCES		PESO WEIGHT (KG)
						Q (L/MIN)	H (M)	
S080001	SBP-250	0.33	0.25	230M	2.25/1/5	30-240	12-2	5.1
S080002	SBP-370	0.50	0.37	230M	2.25/1/5	30-270	13.5-2.5	5.5
S080003	SBP-550	0.75	0.55	230M	2.25/2.25	30-270	10.5-2.1	6.1
S080004	SBP-750	1.00	0.75	230M	2.25/2.25	30-300	11.2-4.0	6.4
S080005	SBP-1100	1.50	1.10	230M	2.25/2.25	30-400	14.5-5.0	8.3
S080006	SBP-1500	2.00	1.50	230M	2.25/2.25	30-500	15.5-3.0	9.4



SFP

SERIES SFP

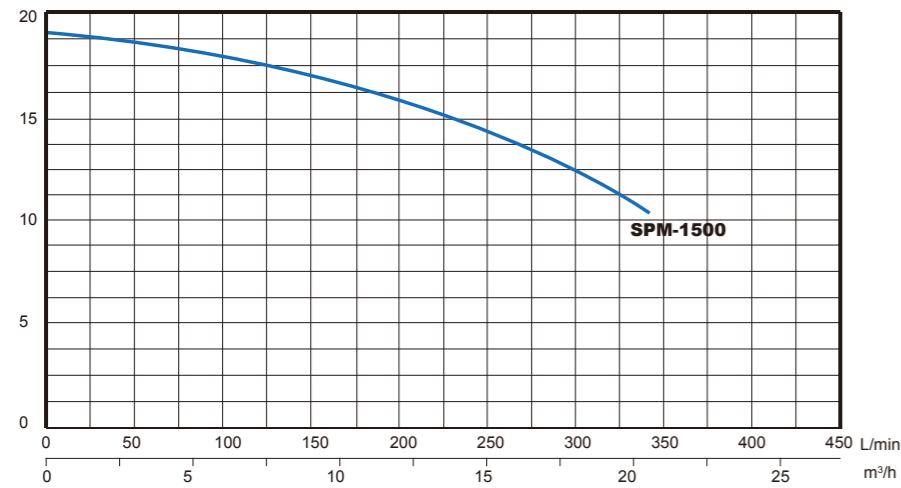
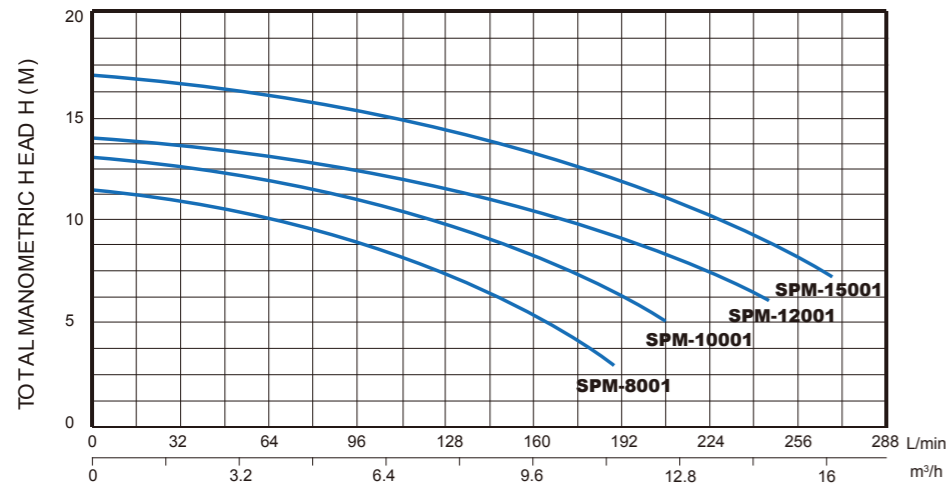
CODE	POMPA PUMP POMPE	HP HP CV	KW KW KW	MOTORE MOTOR MOTEUR	ASPIRAZIONE MANDATA SUCTION DELIVERY	PRESTAZIONI PERFORMANCE PERFORMANCES		PESO WEIGHT (KG)
						Q (L/MIN)	H (M)	
S080007	SFP-370	0.50	0.37	230M	2/2	50-200	10-8	9.4
S080008	SFP-550	0.75	0.55	230M	2/2	50-300	12-7.5	10.7
S080009	SFP-750	1.00	0.75	230M	2/2	50-300	14-10	11.4
S080010	SFP-1100	1.50	1.10	230M	2.5/2.5	50-500	18-8	18.0
S080011	SFP-1500	2.00	1.50	230M	2.5/2.5	50-600	19-8	21.0



SERIES SPM

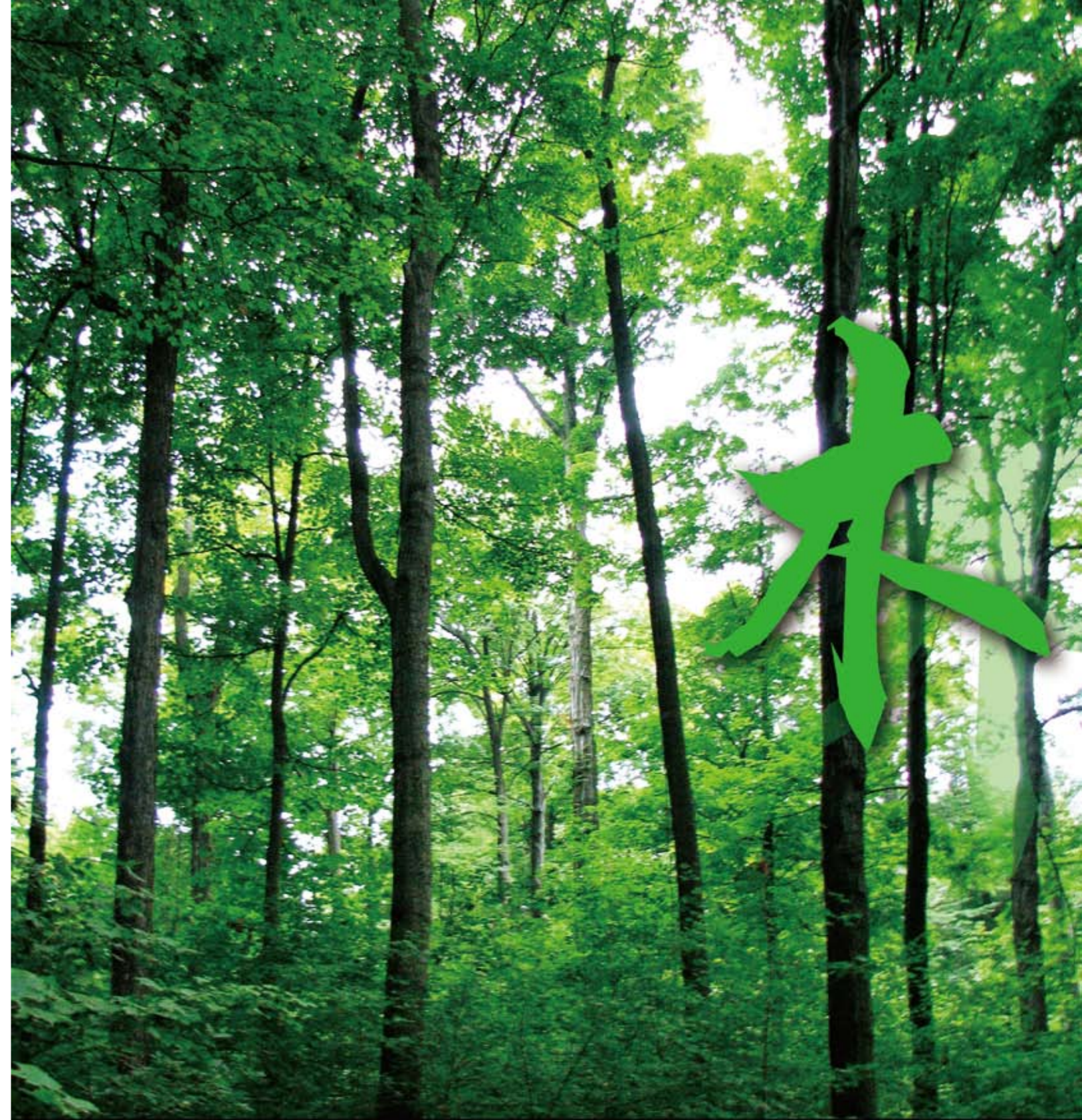
MODEL	POWER		INLET/OUTLET	MAX.FLOW (L/MIN)	MAX.HEAD (M)	G.W(KGS)	PACKING DIMENSION (mm)
	KW	HP					
SPM-180	0.18	0.25	1"X1"	60	6	4	300X150X220
SPM-280	0.28	0.37	1½"X1½"	140	7	5.5	300X150X220
SPM-370	0.37	0.50	1½"X1½"	150	10	6.5	410X185X220
SPM-400	0.40	0.55	1½"X1½"	190	10.5	7	410X185X220
SPM-401	0.40	0.55	1½"X1½"	190	10.5	8	430X210X250
SPM-402	0.40	0.55	1½"X1½"	190	10.5	8	450X210X250
SPM-450	0.45	0.60	1½"X1½"	230	11	11	540X250X370
SPM-750	0.75	1.00	1½"X1½"	260	15	12	540X250X370

SPM



SERIES SPM

MODEL	POWER KW HP	INLET/OUTLET	MAX.FLOW (L/MIN)	MAX.HEAD (M)	G.W(KGS)	PACKING DIMENSION (mm)
SPM-8001	0.45 0.60	1½"X1½"	190	11.5	10	545X230X320
SPM-10001	0.55 0.75	1½"X1½"	210	13	10.5	545X230X320
SPM-12001	0.75 1.00	1½"X1½"	250	14	11	545X230X320
SPM-15001	0.90 1.20	1½"X1½"	270	17	11.5	545X230X320
SPM-1500	1.50 2.00	1½"X1½"	335	18.5	15	645X330X370



Stream[®]
Sign of Quality